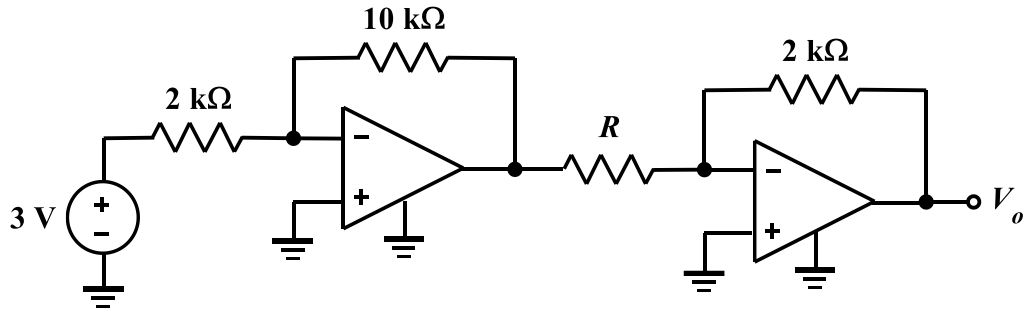


EE 2240
Homework Problem #053



The OpAmps are ideal. Determine the value of R required to make $V_o = 15\text{V}$.